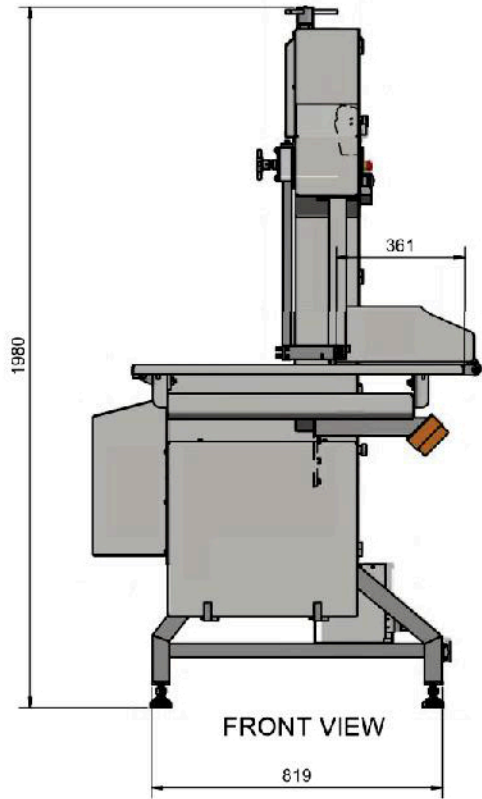
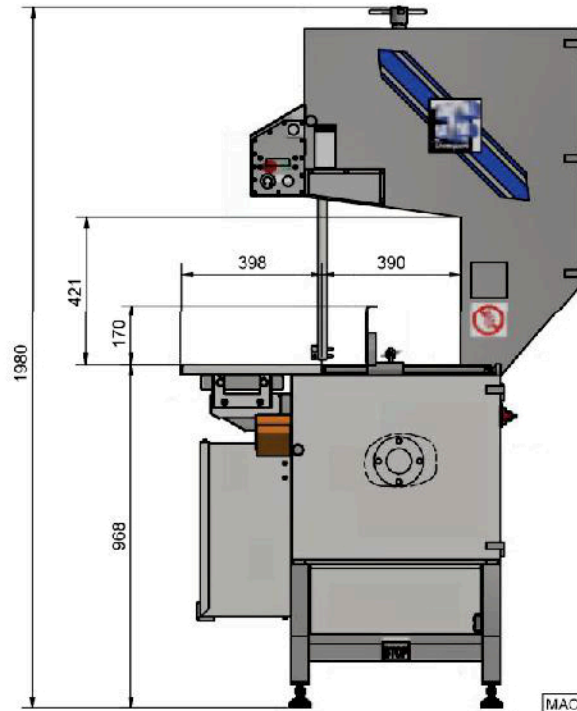


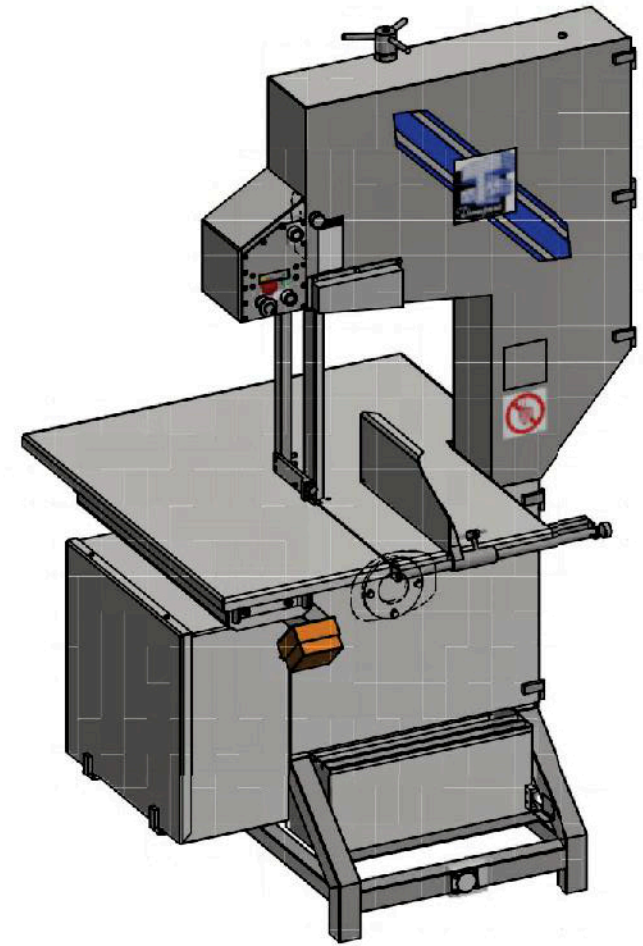
TOP VIEW



FRONT VIEW



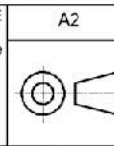
RIGTH SIDE VIEW



ISOMETRIC VIEW

SEE MARAS-015 FOR OPTIONS

MACHINING TOLERANCE U.O.S.	
Above Including Tolerance	
0.5	±0.1
6	±0.2
30	±0.3
120	±0.5
315	±0.8



A2	Part Number: MAR-M1
Title: 400 Bladestop Bandsaw, Standard Table	
Drawn by: Edward Cortes   Date: 26/06/2015	
Scale: 1:10	File: MAR-M1.idw

