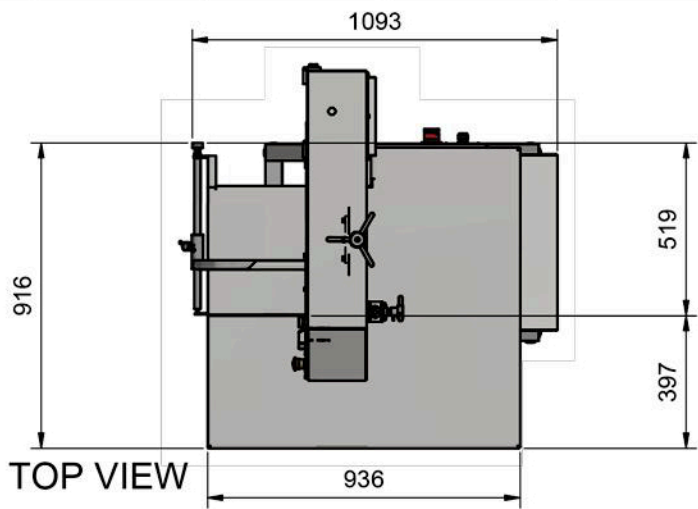
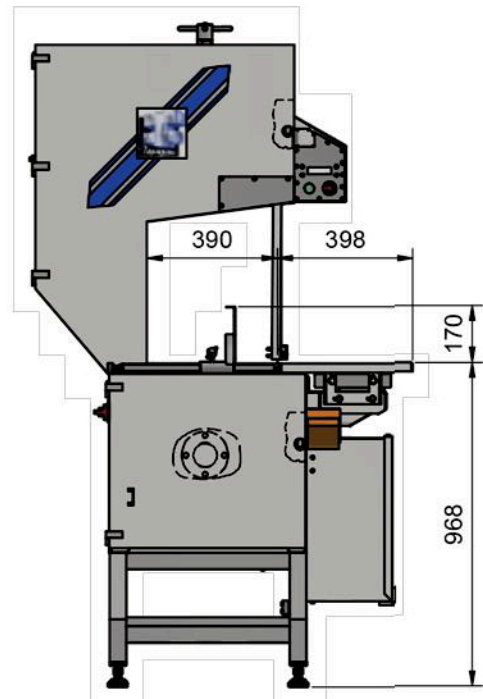


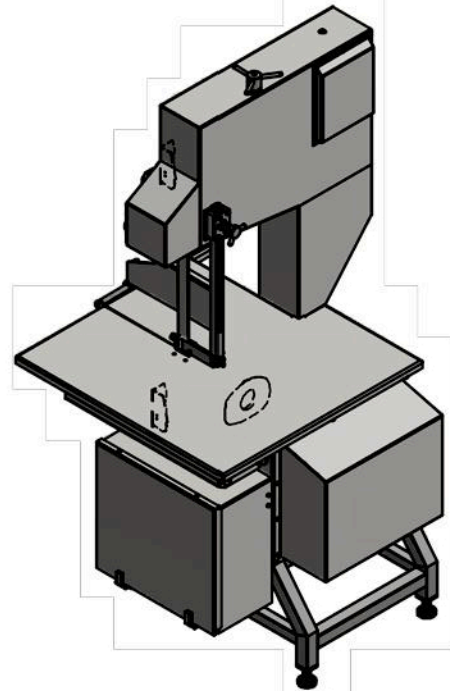
6 5 4 3 2 1



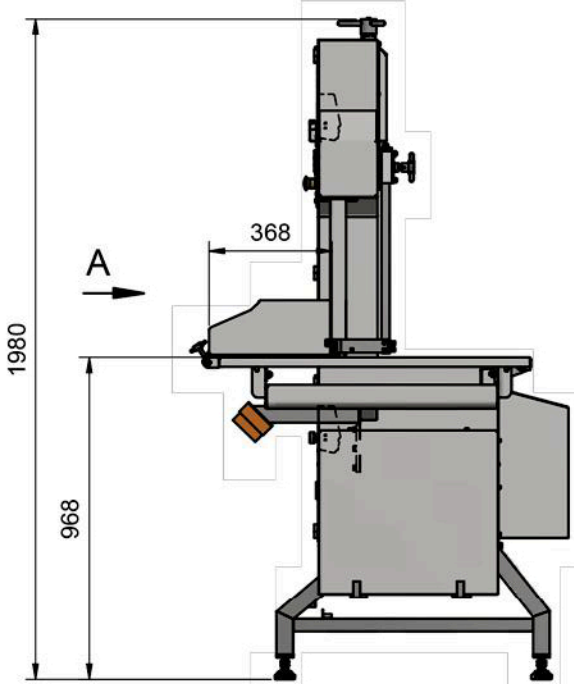
TOP VIEW



A

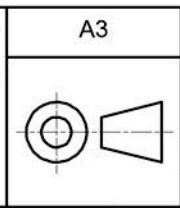


ISOMETRIC VIEW



FRONT VIEW

MACHINING TOLERANCE U.O.S.		
Above	Including	Tolerance
0.5	6	±0.1
6	30	±0.2
30	120	±0.3
120	315	±0.5
315	1000	±0.8



Part Number: MARR-M1	
Title: Right Hand 400 Bladestop Bandsaw, Standard Table	
Drawn by: Chris Baer	Date: 25/06/2015
Scale: 1:15	File: MARR-M1.idw

THOMPSON  
MEAT MACHINERY

Thompson

6 5 4 3 2 1